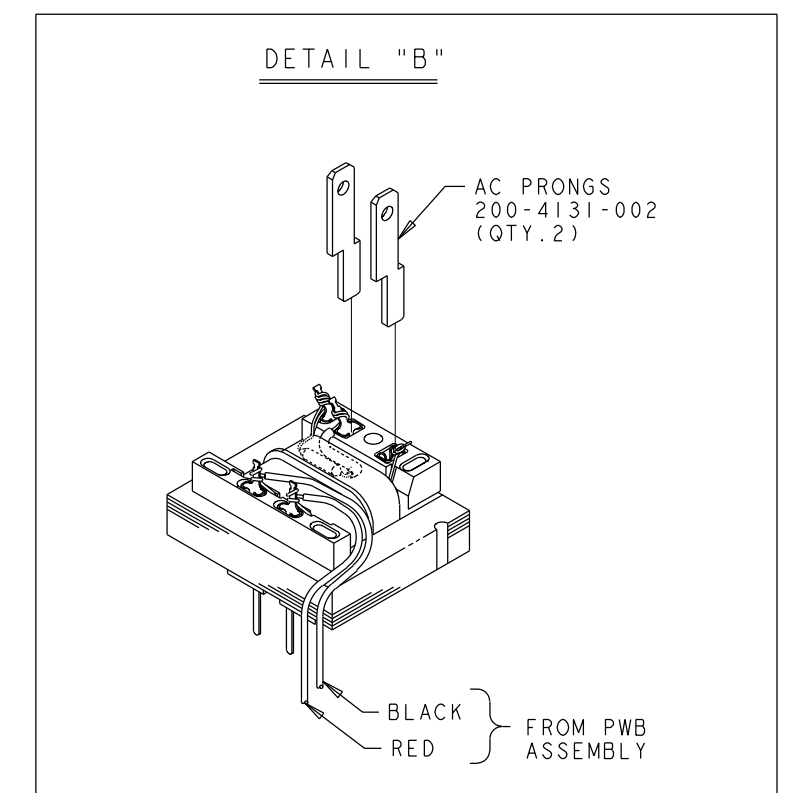


1. APPLY RTV (687-1262) ON THE POTS PRIOR TO ADJUSTMENT.

REVISIONS			
REV	DESCRIPTION	DATE	APPROVAL
D	REVISE AND REDRAW	2-22-90	06014 GS
E	TRANSFORMER ASSY WAS 301-1659	8-6-90	06078 RJM
F	REVISE AND REDRAW BS CVR MKG -02, -0N	3-19-91	16054 RJM
G	ADD -0P TO TABULATION	10-22-91	91026 JL
H	REVISE BOBBIN VIEW	5-13-95	56040 SR
J	REMOVE 3VA-12025-0N FROM TABULATION	10-16-00	06562



UNIT PART NUMBER	REV	BASE MARKING	COVER MARKING
3VA-12025-00	R	150-4331	150-4273
3VA-12025-02	R	150-4421	150-4422
3VA-12025-07	L	150-4257	150-4273
3VA-12025-0P	B	150-4576	150-4583

DRAWN BY	R. MOE	4-6-88
DRAFTING		
MATL & FIN		
DESIGNER		
DESIGN		
APPROVED	RJM	4-29-88

BATTERY  
CHARGER  
FINAL  
ASS'Y

AULT INCORPORATED  
MINNEAPOLIS, MINNESOTA

SIZE	DRAWING NO.	REV	ISS
B	3VA-12025-0X	J	
SCALE	NONE	SHEET	I OF I